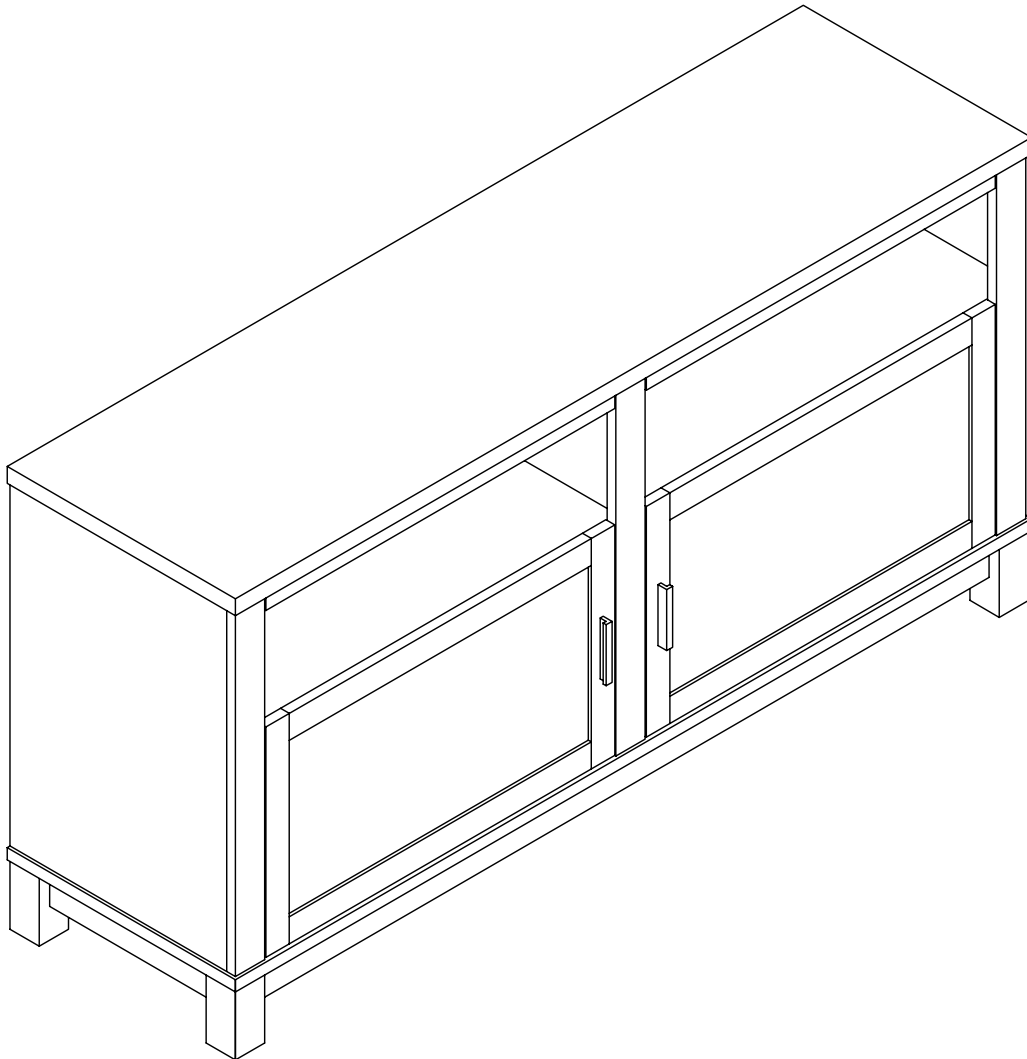


1753196COMUK

Date of Purchase: ___/___/___
Lot Number:



THIS INSTRUCTION BOOKLET CONTAINS **IMPORTANT** SAFETY INFORMATION. PLEASE READ AND KEEP FOR FUTURE REFERENCE.

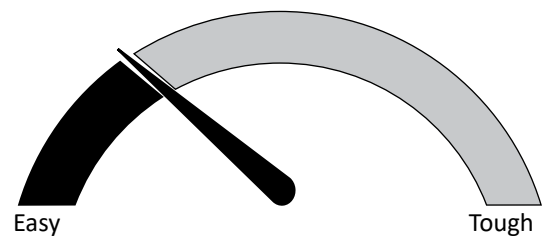
Do Not Return This Product!

Contact our customer service team for help first
Call: 01942 524100
E-mail: cseurope@dorel.com



WARNING

- Unit can tip over causing severe injury or death.
- Anchor unit to stud in wall (if instructed to)
- Do not allow children climb on unit
- Put heavy items on lower shelves or drawers



Assembly Difficulty Meter

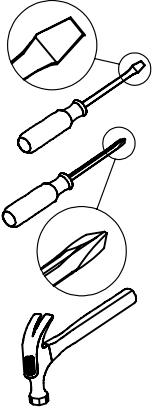
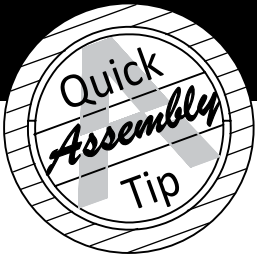
Helpful Hints

PEOPLE NEEDED FOR ASSEMBLY: **1-2**
ESTIMATED ASSEMBLY TIME: **1 HOUR**

- Open your item in the area you plan to keep it for less heavy lifting
- Identify, sort and count the parts before attempting assembly
- Compression dowels are tapped in with a hammer
- Slides are labeled with a R (right) and L (left) for proper placement
- Make sure to always face the point on the top of the Cam Lock towards the outer edge
- Use all the nails provided for the back panel and spread them out equally
- Back Panel must be used to make sure your unit is sturdy
- Do NOT use harsh chemicals or abrasive cleaners on this item
- Never push, pull, or drag your furniture



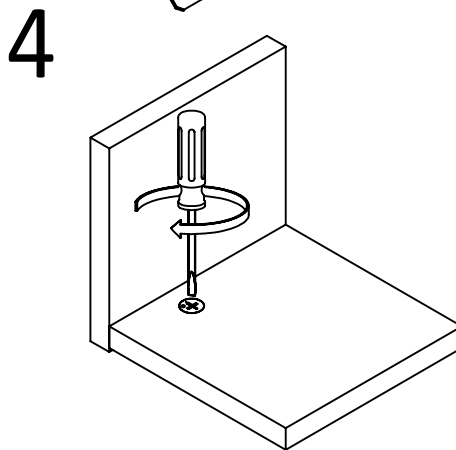
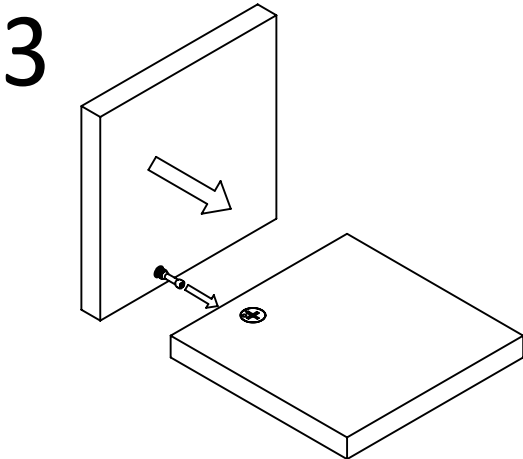
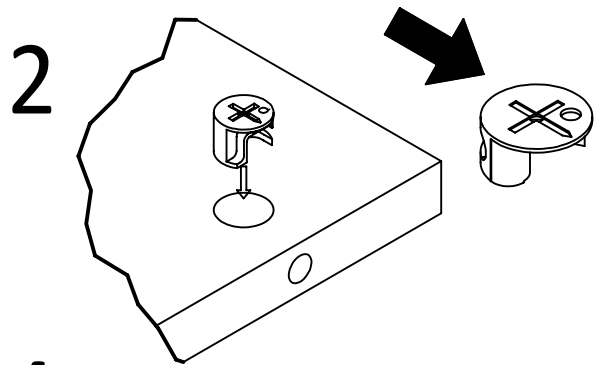
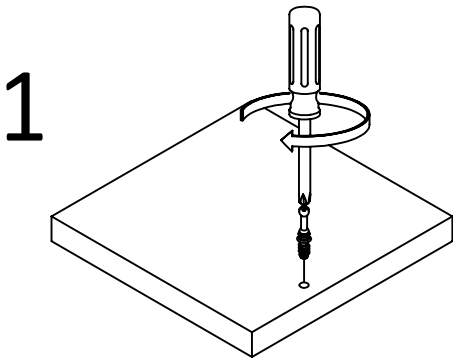
Before You Start



- ✓ Read through each step carefully and follow the proper order
- ✓ Separate and count all your parts and hardware
- ✓ Give yourself enough room for the assembly process
- ✓ Have the following tools: Flat Head Screwdriver, #2 Phillips Head Screwdriver and Hammer
- ✓ Caution: If using a power drill or power screwdriver for screwing, please be aware to slow down and stop when screw is tight. Failure to do so may result in stripping the screw.

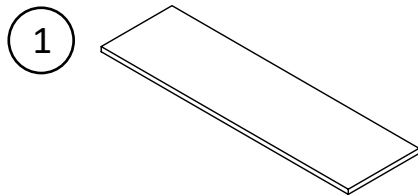
Cam Lock Fastening System

This Cam Lock Fastening System will be used throughout the assembly process.



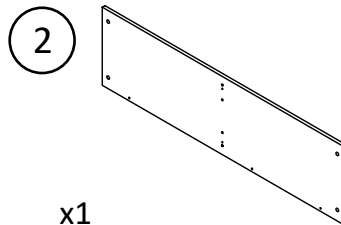
Board Identification

Not actual size



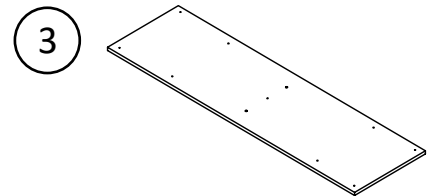
1

x1
T1753196010UD
TOP PANEL



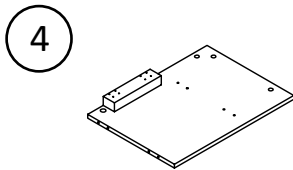
2

x1
T1753196020UD
FIXED SHELF



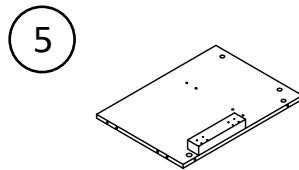
3

x1
T1753196030UD
BOTTOM PANEL



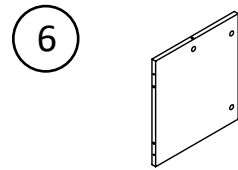
4

x1
T1753196040UD
LEFT SIDE PANEL



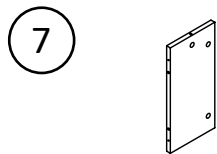
5

x1
T1753196050UD
RIGHT SIDE PANEL



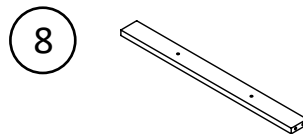
6

x1
T1753196060UD
LOWER PARTITION



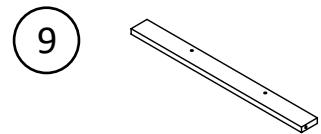
7

x1
T1753196070UD
UPPER PARTITION



8

x1
T1753196080UD
MIDDLE RAIL



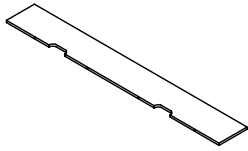
9

x2
T1753196090UD
SIDE RAIL

Board Identification

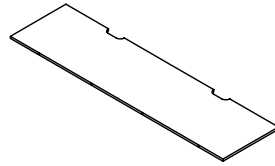
Not actual size

10



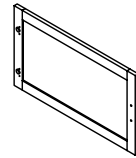
x1
T1753196100UD
UPPER BACK PANEL

11



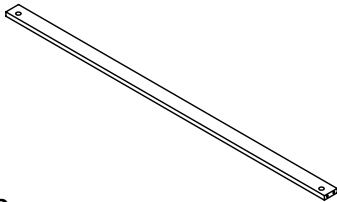
x1
T1753196110UD
LOWER BACK PANEL

12



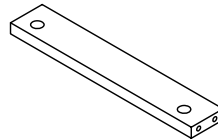
x2
T1753196120UD
DOOR

13



x2
T1753196130UD
LONG LOWER RAIL

14



x2
T1753196140UD
SHORT LOWER RAIL

15



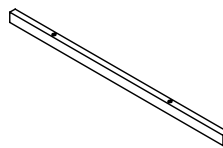
x4
T1753196150UD
FOOT

16



x1
T1753196160UD
MIDDLE FOOT

17



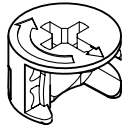
x2
T1753196170UD
TOP APRON

Part List

Actual Size



x26
TUD0001
Cam Bolt



x26
TUD0002
Cam Lock
15-12



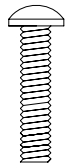
x32
TUD0030
DOWEL 6 X 30



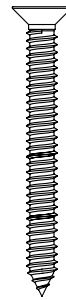
x6
TUD0036
DOWEL 6 X 50



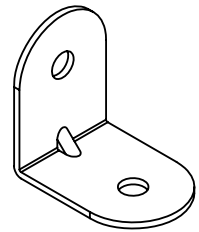
x32
TUD0008
CBS 3.5 x 16



x4
TUD0010
PH M4 X 18



x17
TUD0009
CBS 4 x 38



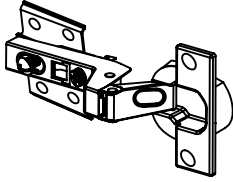
x4
TUD0020
L-BRACKET



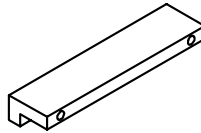
x8
TUD0004
DOWEL M8 X 25

Part List

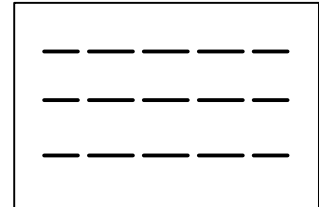
Not Actual Size



x4
TUD0037
HINGE Ø35

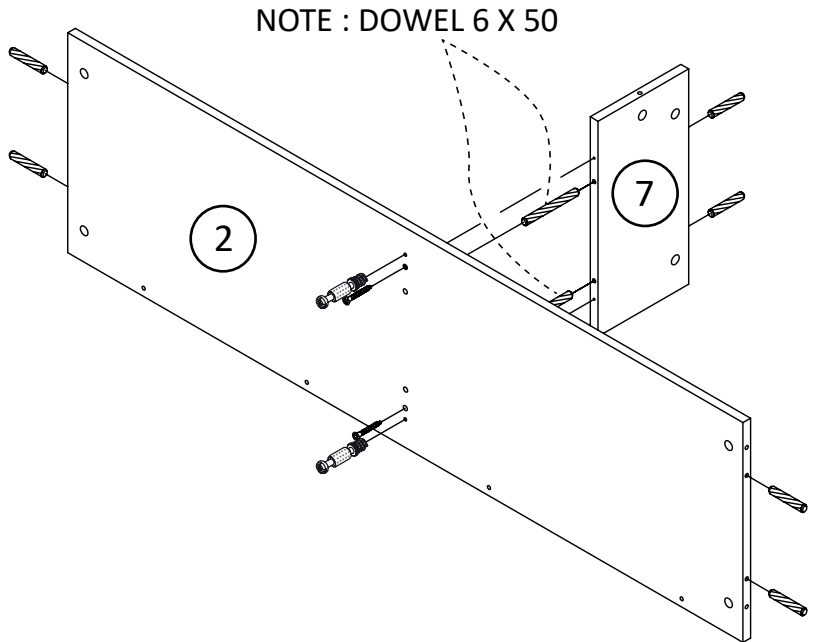
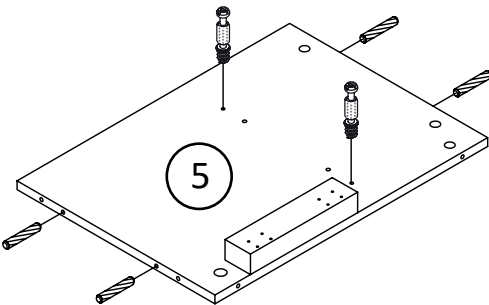
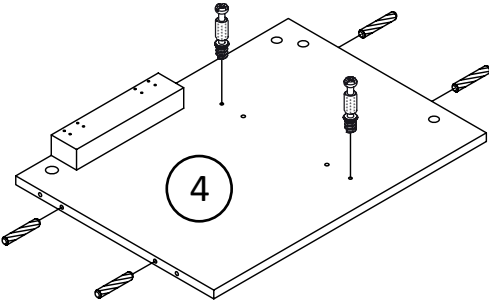
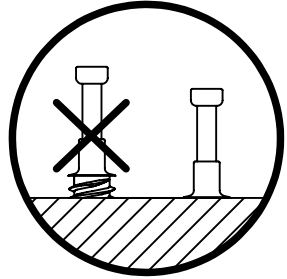
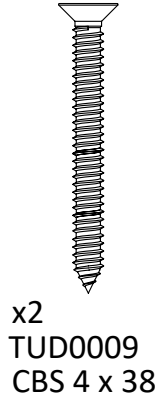
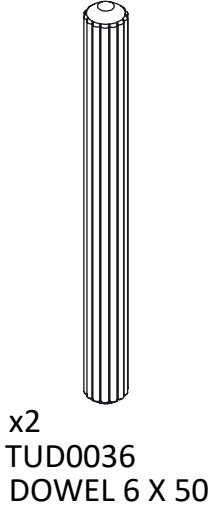
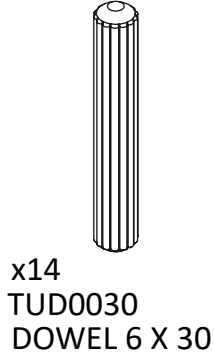
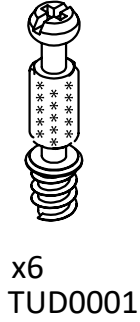
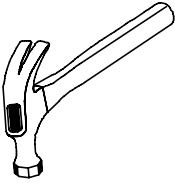
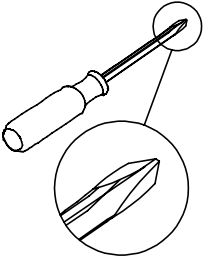


x2
TUD0012
HANDLE

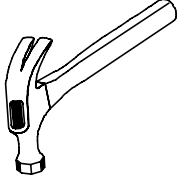
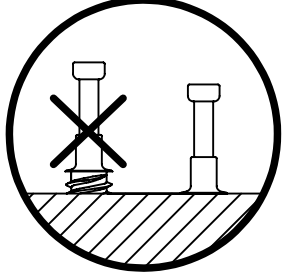
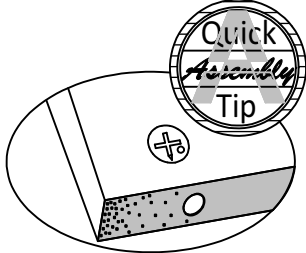
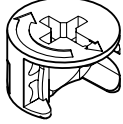
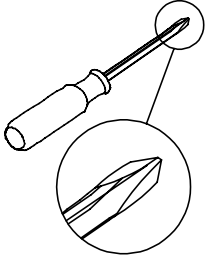


x1
TUD0038
WARNING LABEL

Step 1



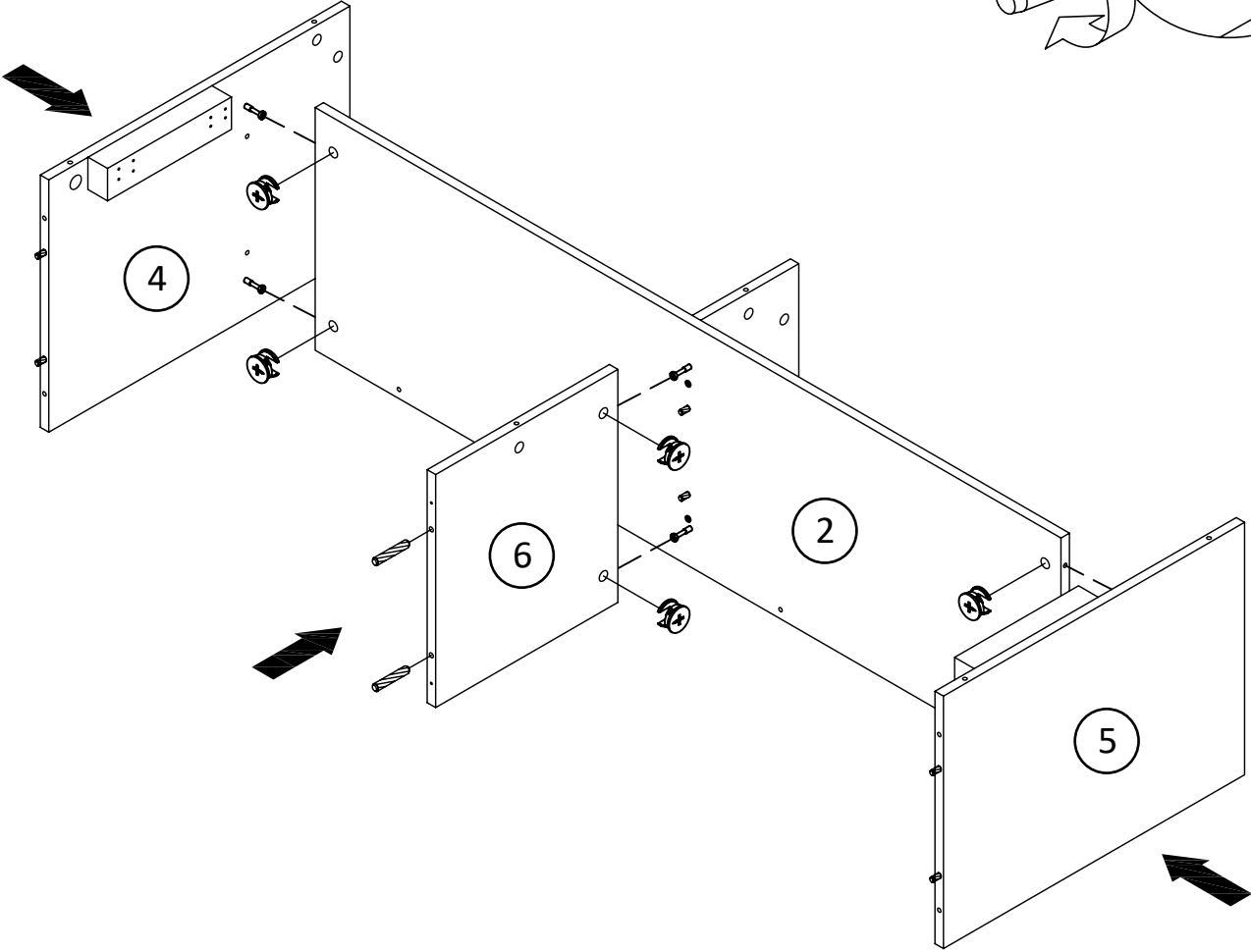
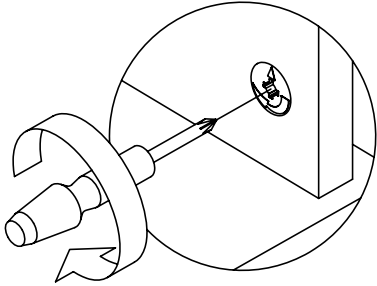
Step 2



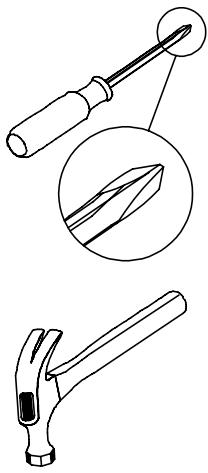
x2
TUD0030
DOWEL 6 X 30

x6
TUD0002
Cam Lock
15-12

Proper orientation of CAM LOCK



Step 3

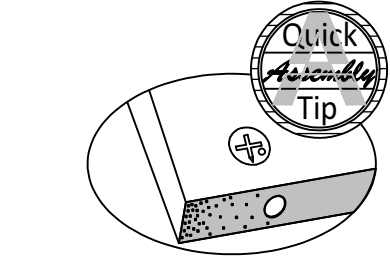


x12
TUD0030
DOWEL 6 X 30

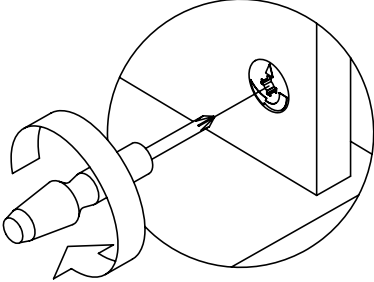
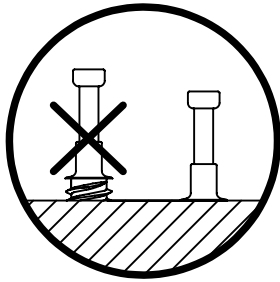
x6
TUD0002
Cam Lock
15-12

x4
TUD0036
DOWEL 6 X 50

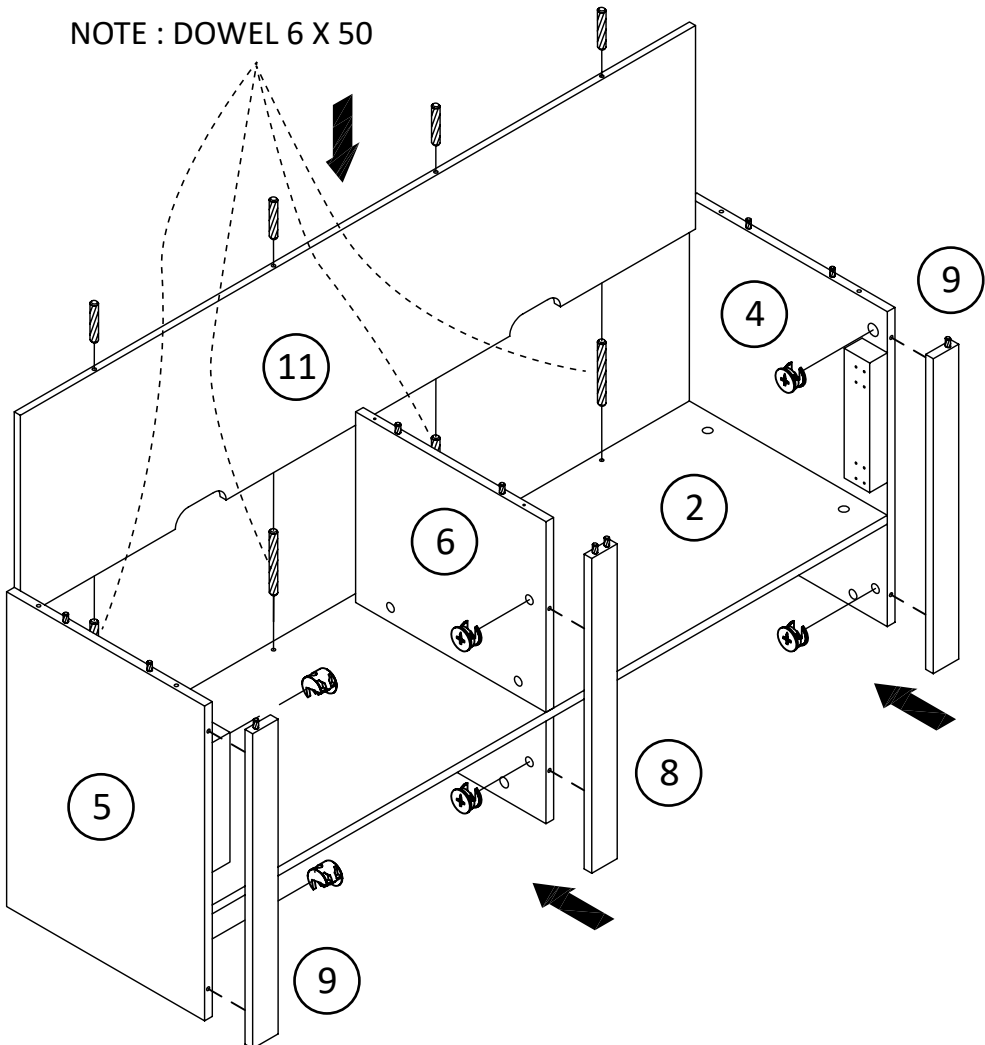
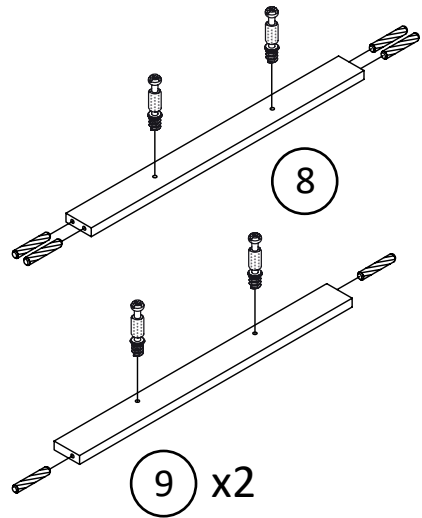
x6
TUD0001



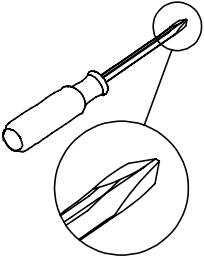
Proper orientation of CAM LOCK



NOTE : DOWEL 6 X 50



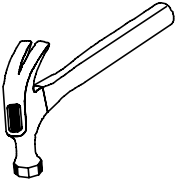
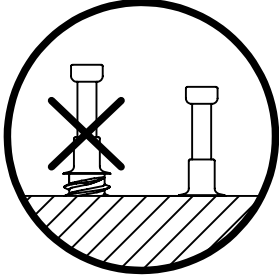
Step 4



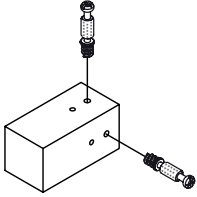
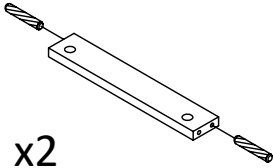
x8
TUD0001



x8
TUD0004
DOWEL M8 X 25

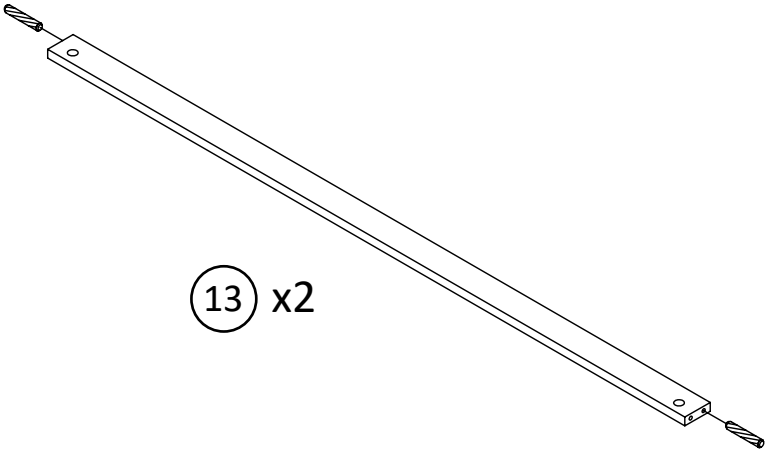


14 x2

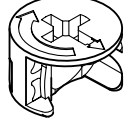
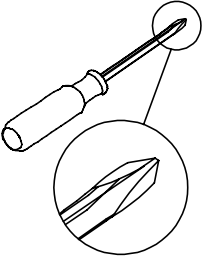


15 x4

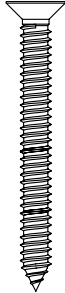
13 x2



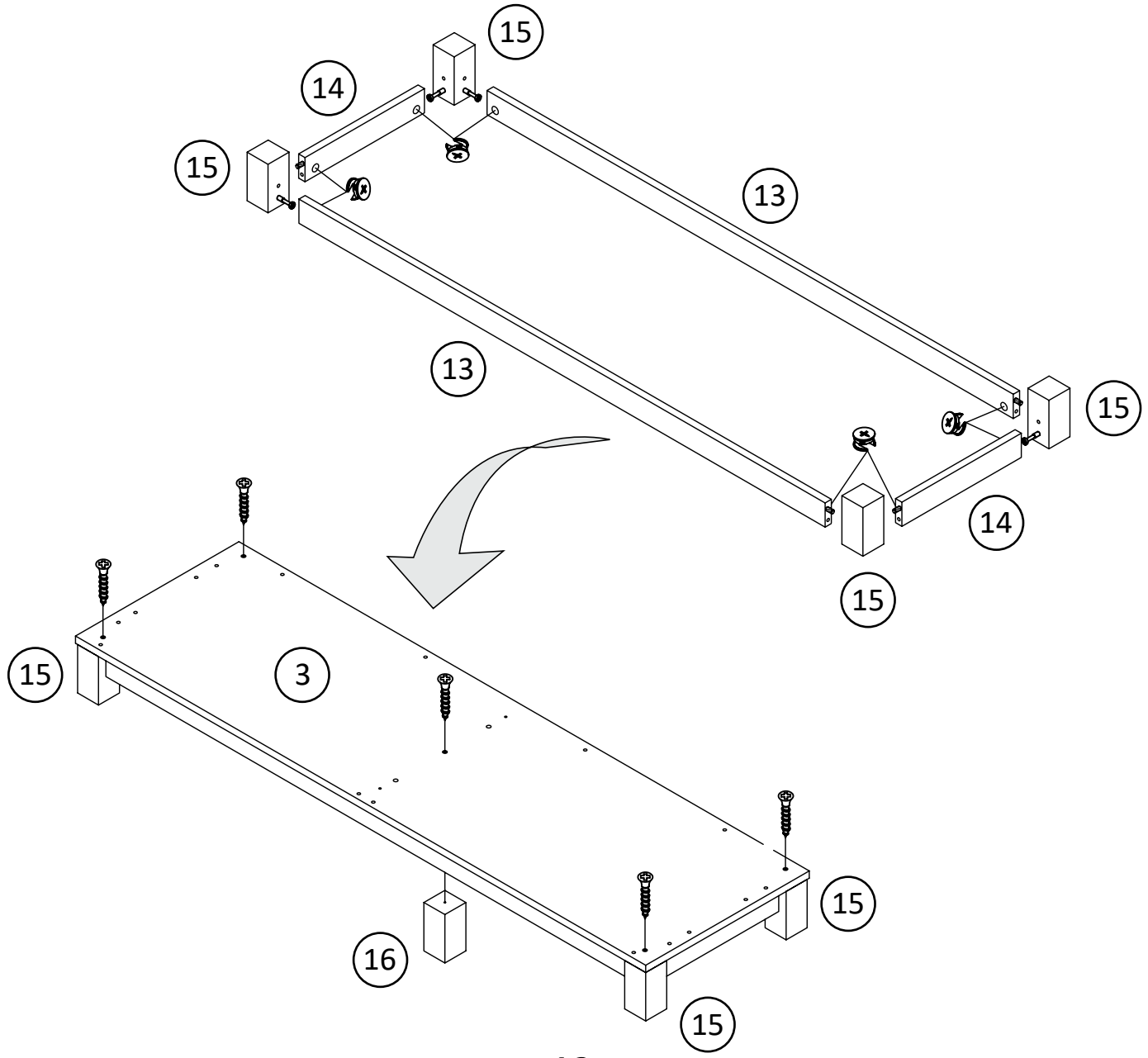
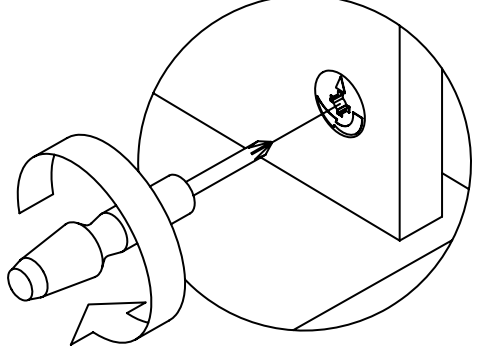
Step 5



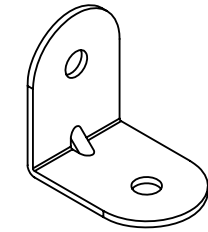
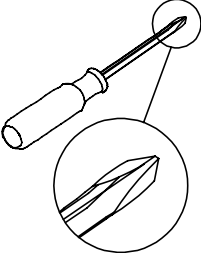
x8
TUD0002
Cam Lock
15-12



x5
TUD0009
CBS 4 x 38



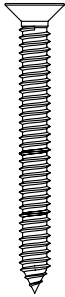
Step 6



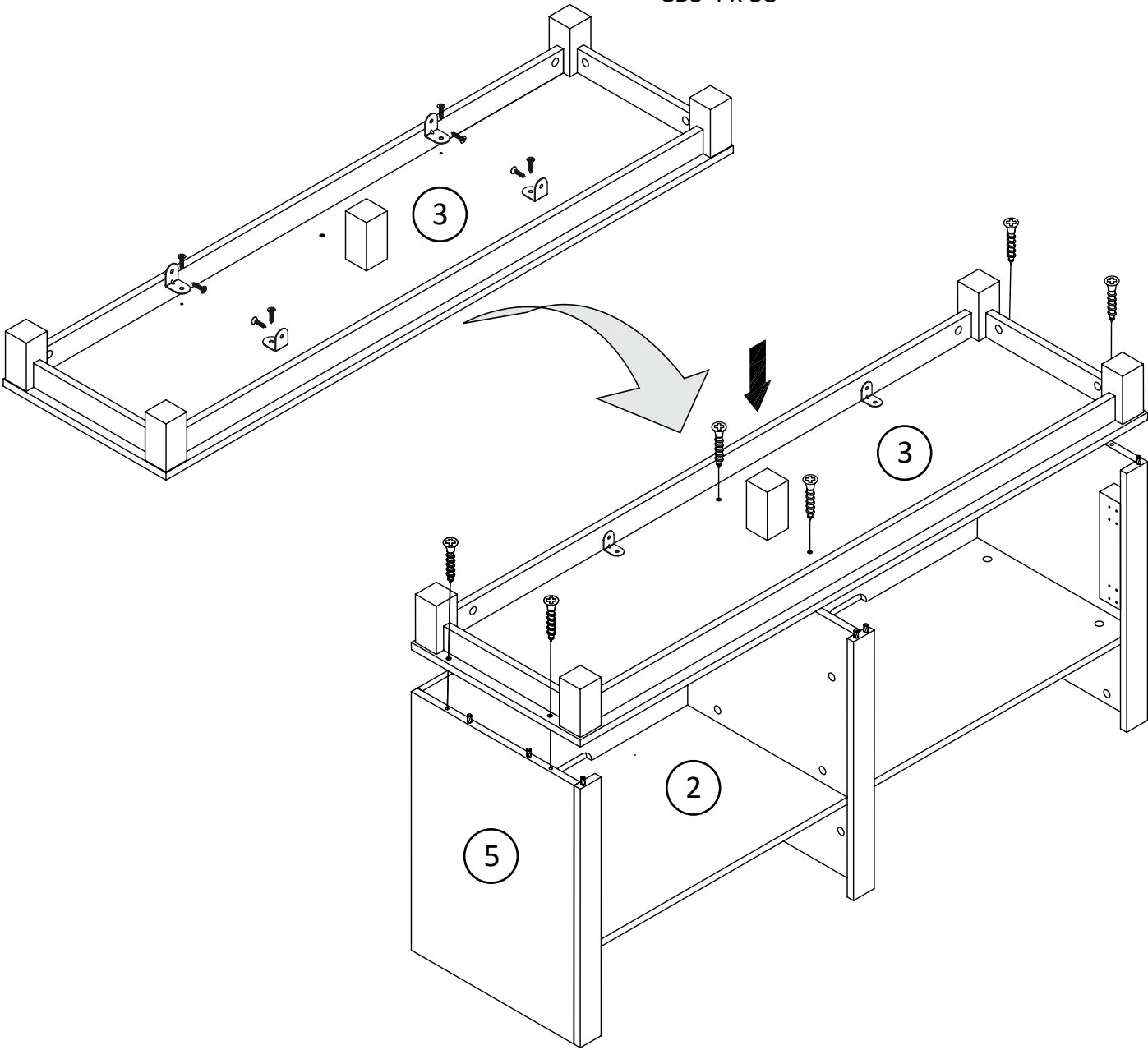
x4
TUD0020
L-BRACKET



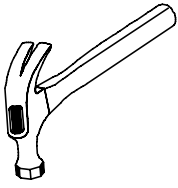
x8
TUD0008
CBS 3.5 x 16



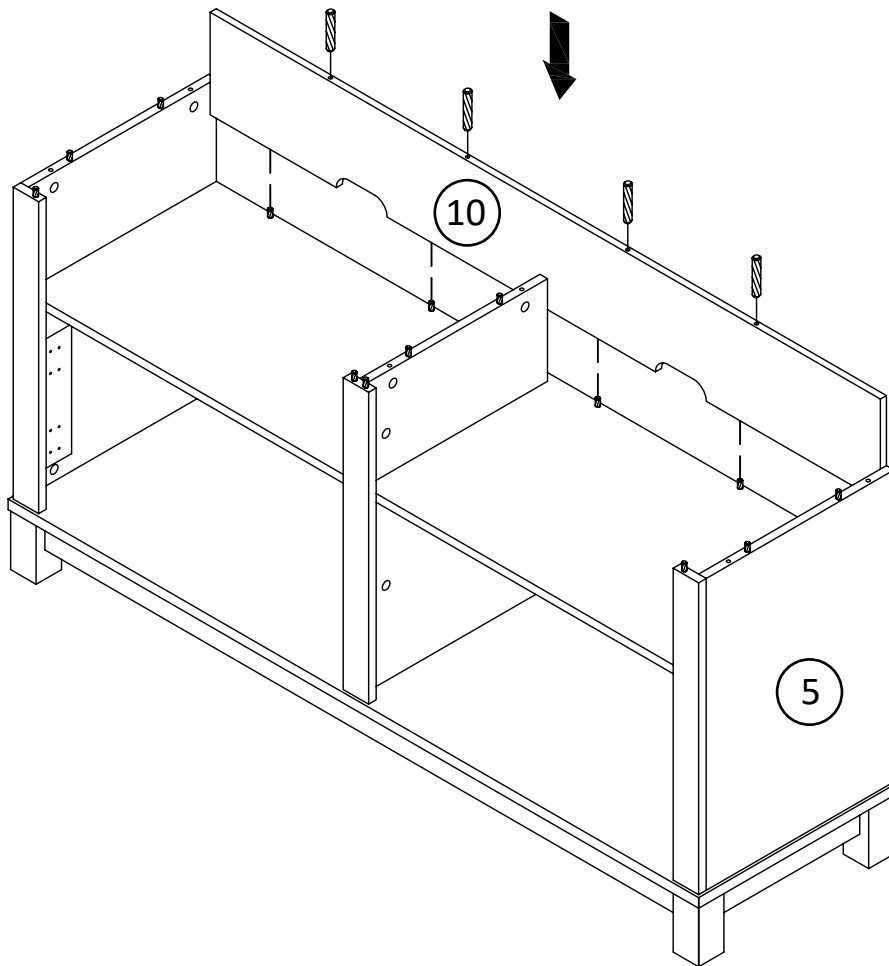
x6
TUD0009
CBS 4 x 38



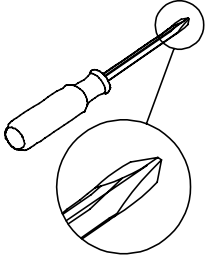
Step 7



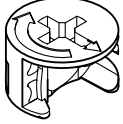
x4
TUD0030
DOWEL 6 X 30



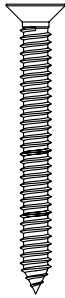
Step 8



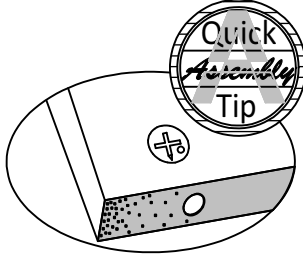
x6
TUD0001



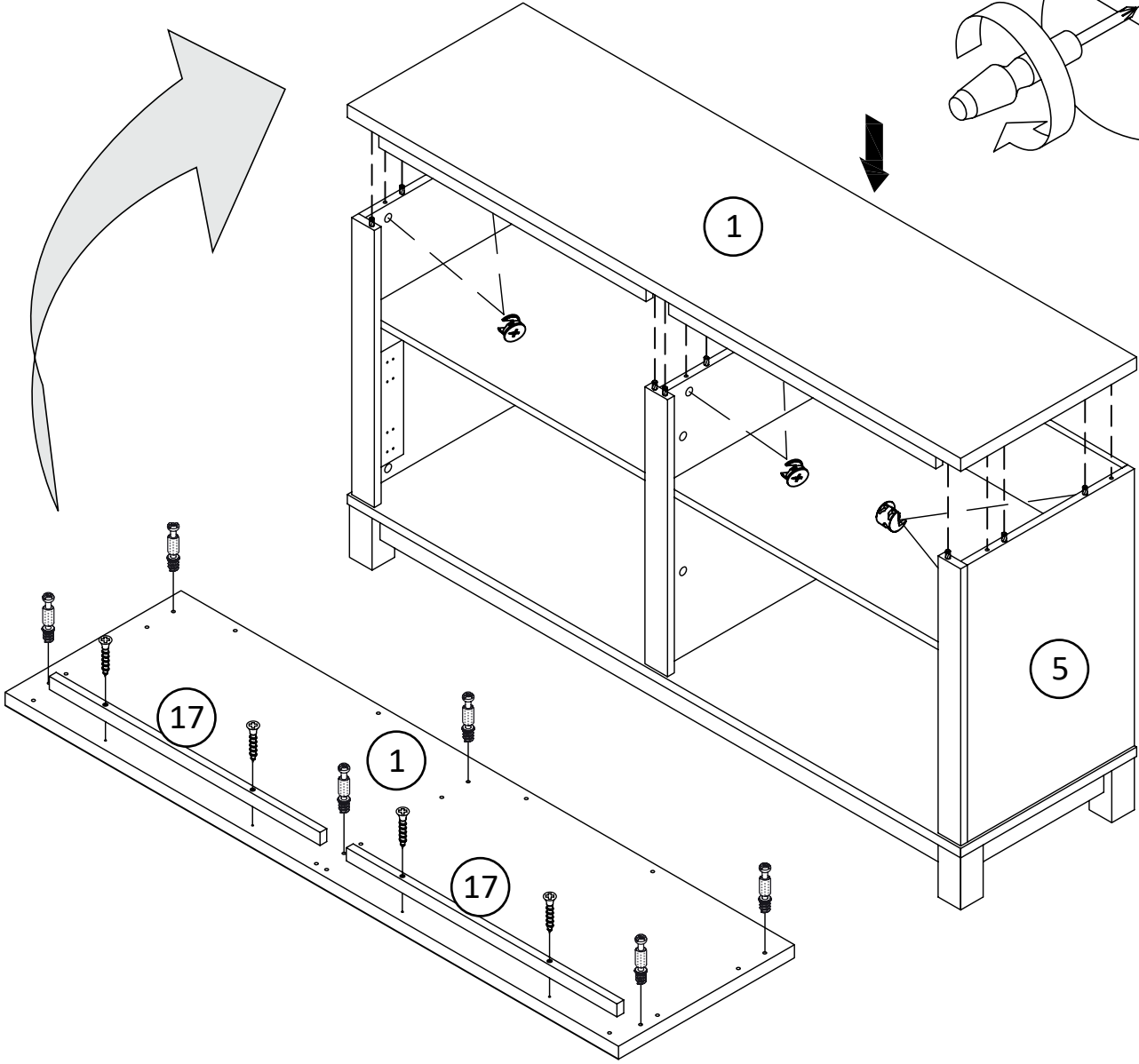
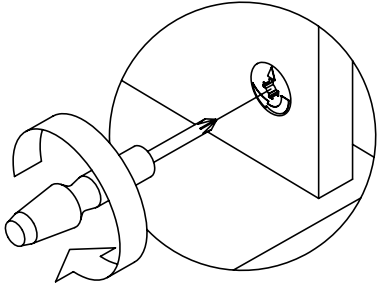
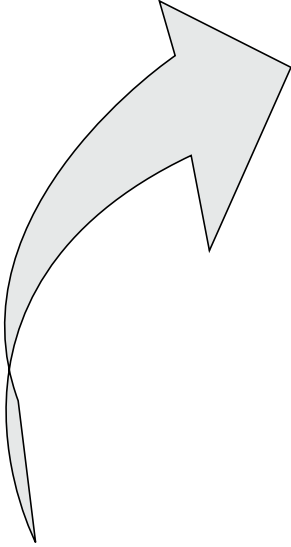
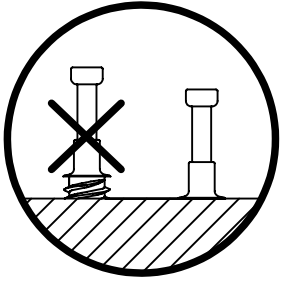
x6
TUD0002
Cam Lock
15-12



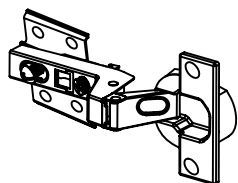
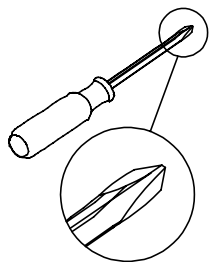
x4
TUD0009
CBS 4 x 38



Proper orientation of CAM LOCK



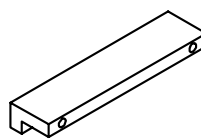
Step 9



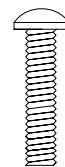
x4
TUD0037
HINGE Ø35



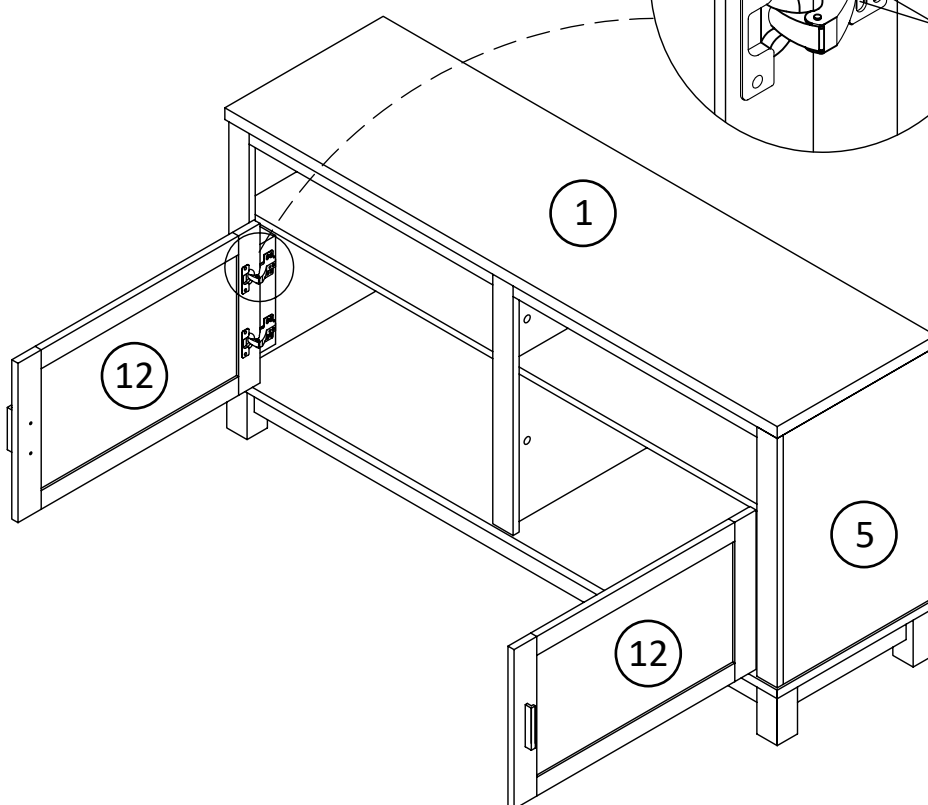
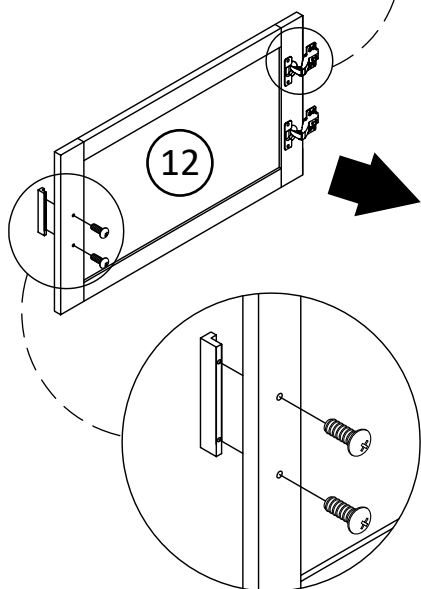
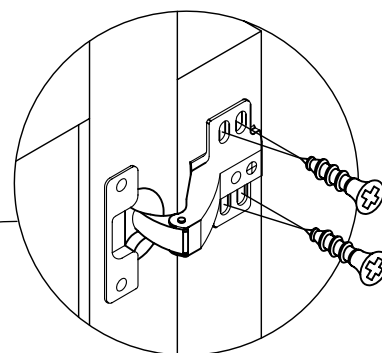
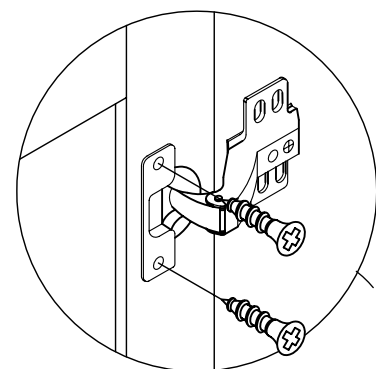
x24
TUD0008
CBS 3.5 x 16



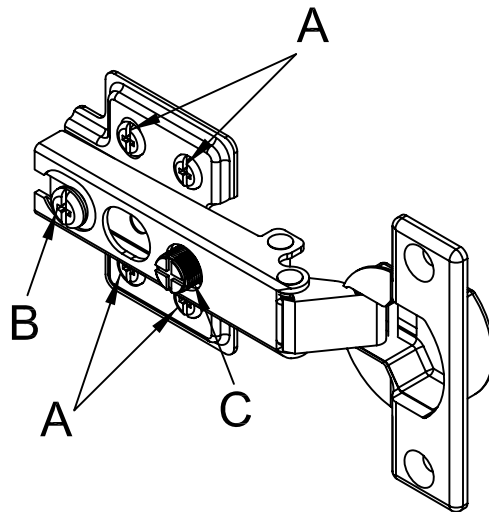
x2
TUD0012
HANDLE

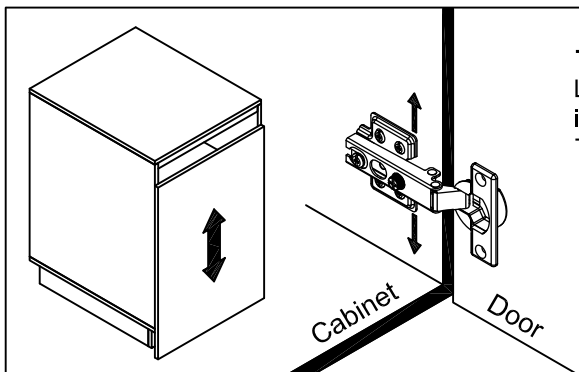
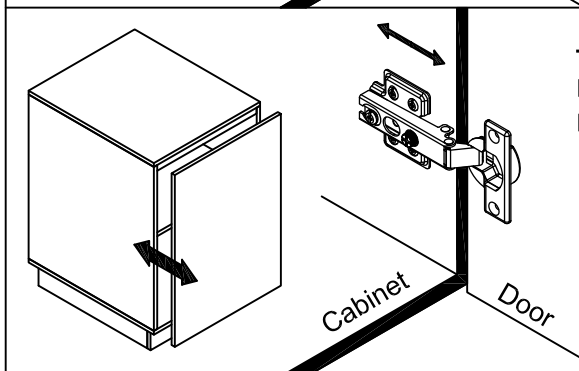
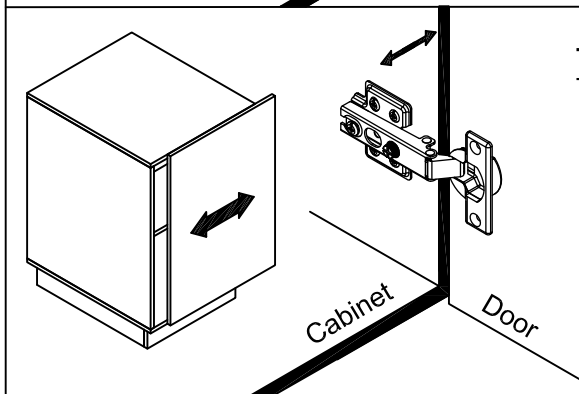


x4
TUD0010
PH M4 X 18



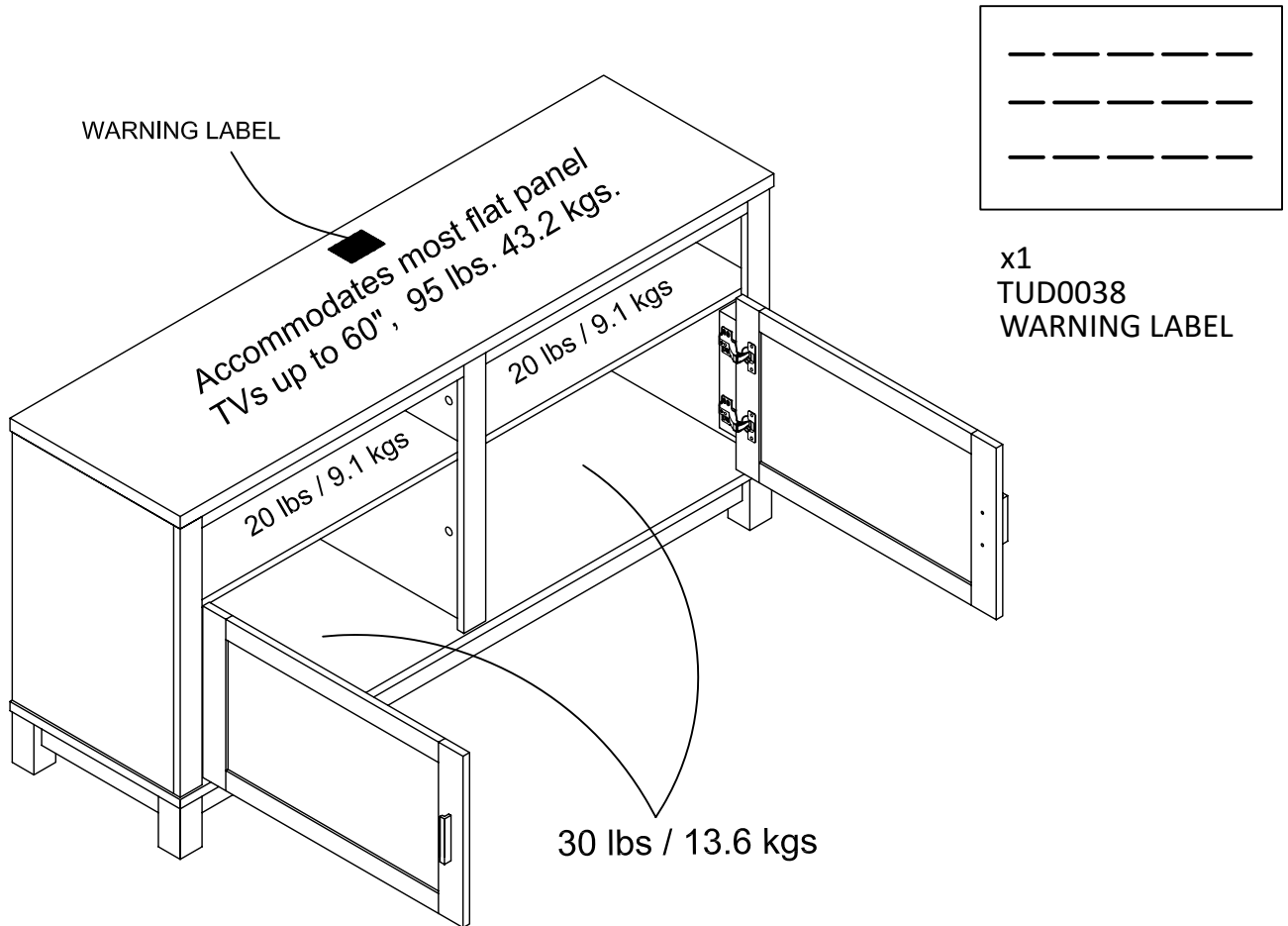
Step 10



	<p>To adjust the vertical height. Loosen the four screws "A" on both hinges. Two of them are usually in slotted holes which allows you to adjust up or down by a few mm. Then tighten back up.</p>
	<p>To adjust depth. Loosen screw "B" and adjust door, if the door can not be adjusted, please loosen screw "C", then try again. Tighten screw "B" and "C".</p>
	<p>To adjust side ways. Turning the screw "C" on BOTH hinges on each door.</p>

Maximum Loads

This unit has been designed to support the maximum loads shown. Exceeding these load limits could cause sagging, instability, product collapse, and/or serious injury.



Enjoy your furniture.

Warning: Please make sure that all the objects are removed before moving the assembled unit. The unit must be lifted by more than one person, not dragged or pushed. Failure to do so will cause product damage, instability, product collapse, and/or serious injury.

Certificate of Conformity

1. This certificate applies to Dorel Home Furnishings, Inc. product identified by this instruction manual.
2. This certificate applies to compliance of this product with the CPSC Ban on Lead-Containing Paint (16 CFR 1303).
3. This product is distributed by: Dorel Home Furnishings Europe Ltd.
Building 4, Imperial Place Maxwell Road
Borehamwood WD6 1JN United Kingdom
01942 524100
4. Site of Manufacturer: Muar, Malaysia.
5. See front page of instruction manual for date of manufacturer.