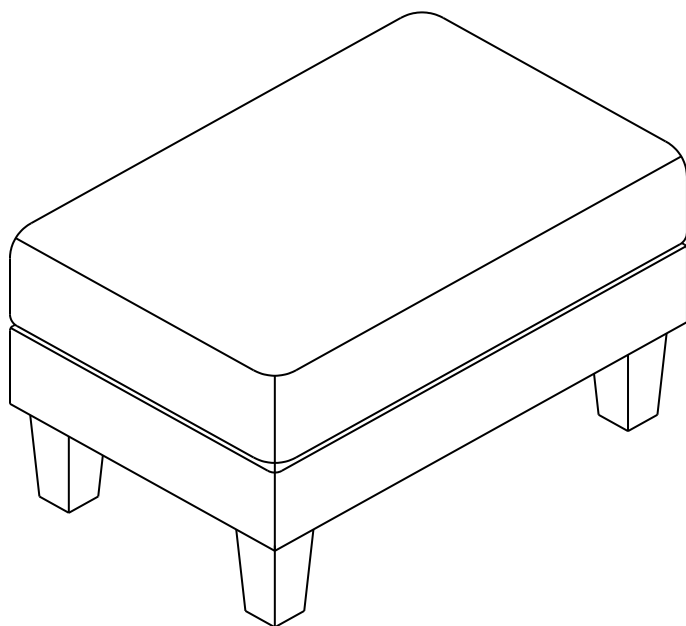


INSTRUCTION MANUAL

Ottoman



Model No:

DA036OTUK - GREY

DA036OT-BLUK - BLUE

DA036OT-BGUK - BEIGE

UPC CODE:

5060669113805

5060669113829

5060669113812

NOTE:

THIS INSTRUCTION BOOKLET
CONTAINS **IMPORTANT** SAFETY
INFORMATION. PLEASE READ AND
KEEP FOR FUTURE REFERENCE.

Lot number:

(LOCATED ON CARTON)

Date of purchase:

_____ / _____ / _____.

DO NOT RETURN PRODUCT TO THE RETAILER
If a part is missing or damaged, contact our customer
service department. We will replace the part
FREE of charge.



Tel #: 01942 524100

Email: cseurope@dorel.com

CUSTOMER SERVICE

You can also contact us by writing to the address listed below. Please include the product model number, color and a detailed description of your enquiry.

Dorel Home Furnishings Europe
Building 4, Imperial Place
Maxwell Road, Borehamwood, WD6 1JN United Kingdom
cseurope@dorel.com 01942 524100

NOTES

- * Ensure all parts and components are present before beginning assembly.
- * Assembly and handling will require two people.
- * Assemble on a soft, smooth surface to prevent damage to the product finish.
- * Read all instructions completely before assembly.
- * **DO NOT** use power tools.
- * CAUTION: Adult assembly required.
- * Estimated assembly time: 5 minutes.

CARE, CLEANING AND MAINTENANCE

Dust regularly with a soft, dry cloth to prevent soil build up. Keep away from heat to avoid glazing, melting or scorching. Use a professional cleaning service to clean the fabric.

1-YEAR LIMITED WARRANTY

Dorel warrants its product to be free from defects in material and workmanship and agrees to remedy any such defect. This warranty covers 1 year from the date of original purchase from authorized retailers. This warranty is valid only upon presentation of proof of purchase. This is solely limited to the repair or replacement of defective furniture components and no assembly labor is included. This warranty does not apply to any product which has been improperly assembled, subjected to misuse or abuse or which has been altered or repaired in any way. The warranty does not cover wearing, tearing, fading or splitting of the fabric (where applicable). This warranty gives you specific legal rights and you may also have other rights which vary from State to State or Province to Province.

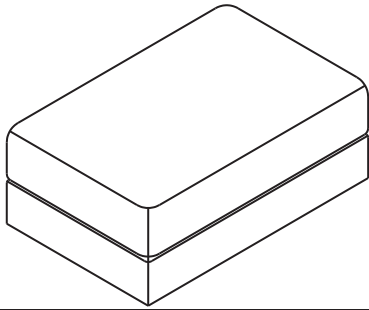
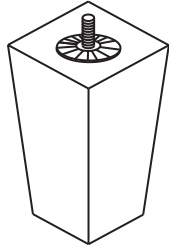


WARNING: Should this product become damaged, and/or components are broken or missing, DO NOT USE.

OTTOMAN

DA036OTUK / DA036OT-BLUK / DA036OT-BGUK

PARTS LIST

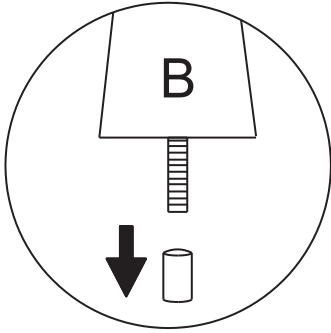
A 	B 
OTTOMAN 1 PC	FOOT 4 PCS

OTTOMAN

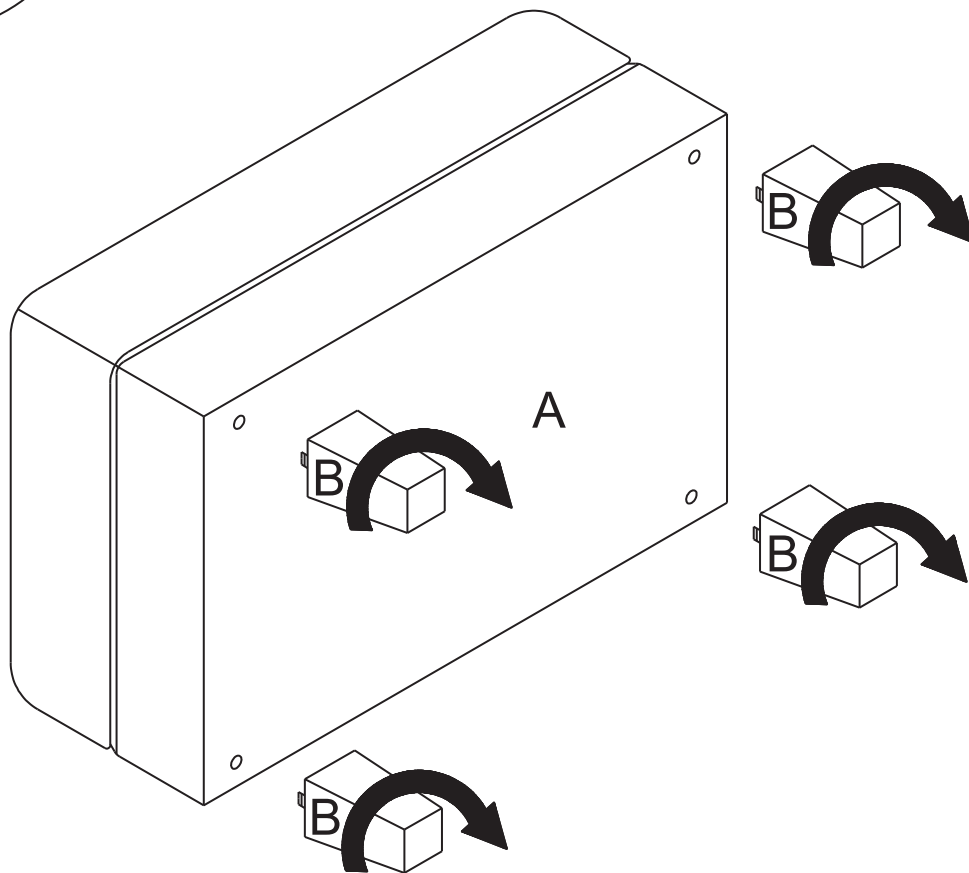
DA036OTUK / DA036OT-BLUK / DA036OT-BGUK

STEP 1

Attach foot (B) to seat (A) by rotating clockwise.



NOTE: remove the protective cap on foot (B) before beginning assembly.



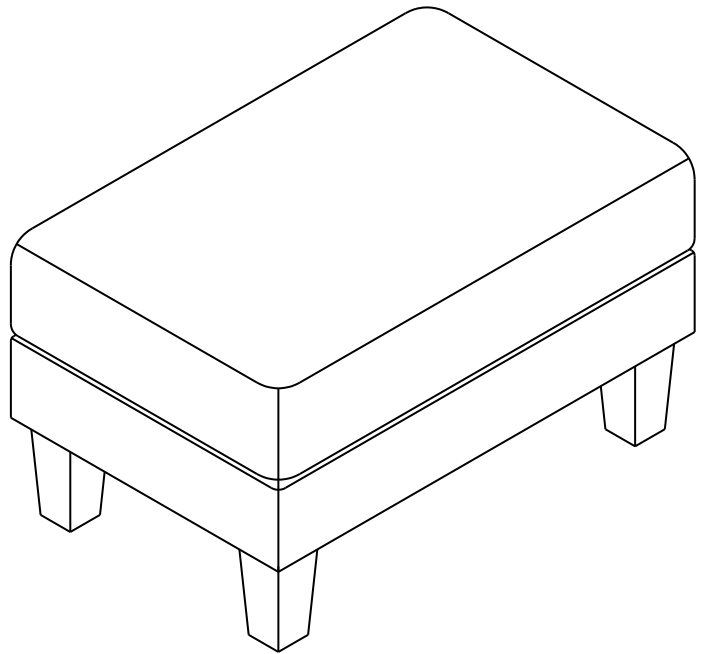
OTTOMAN

DA036OTUK / DA036OT-BLUK / DA036OT-BGUK



CAUTION: This unit is intended for use only with the products and/or maximum weights indicated. Use with other products and/or products heavier than the maximum weights indicated may result in instability or cause possible injury.

Dust regularly with a soft, dry cloth to prevent soil build up. Keep away from heat to avoid glazing, melting or scorching. Use a professional cleaning service to clean the fabric.



That's it! You've finished assembling your ottoman.

DO NOT RETURN PRODUCT TO THE RETAILER.

If a part is missing or damaged, contact our customer service department.

We will replace the part **FREE** of charge.

Tel #: 01942 524100

Email: cseurope@dorel.com

